



SUBARU

Legacy / Outback

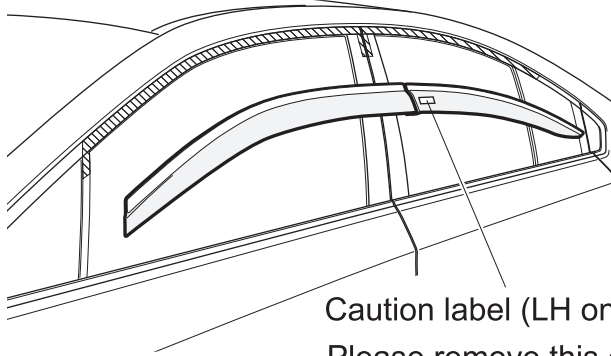
SIDE WINDOW DEFLECTOR

INSTALLATION INSTRUCTION

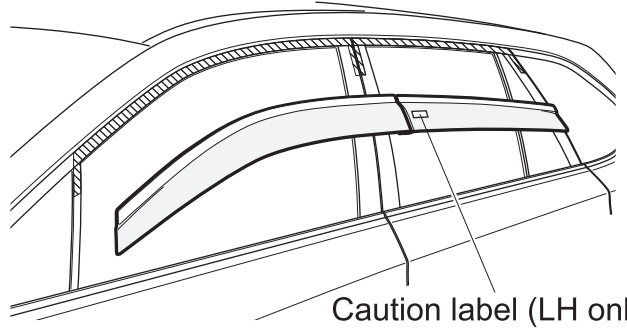
PART NUMBER

F 0 0 1 0 A L 9 0 0 

F 0 0 1 0 A L 5 0 0 



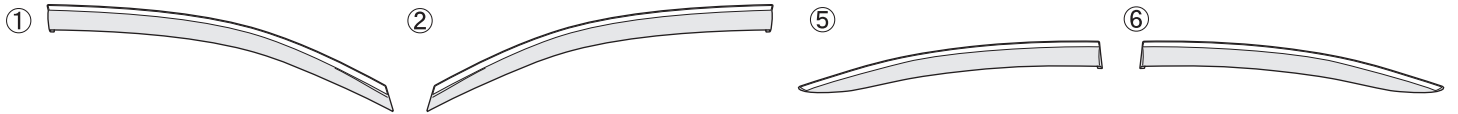
Caution label (LH only)



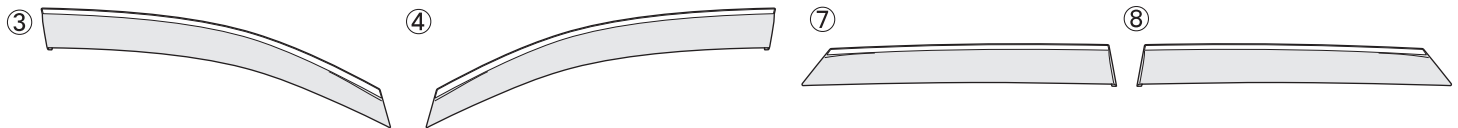
Caution label (LH only)

Please remove this caution label, in the case of Canadian market.

Legacy



Outback



Gloves



Rag



Isopropyl alcohol



Hair dryer / heat gun

CAUTION

Side window deflectors may not be legal in all states.
Please check the laws of your state.

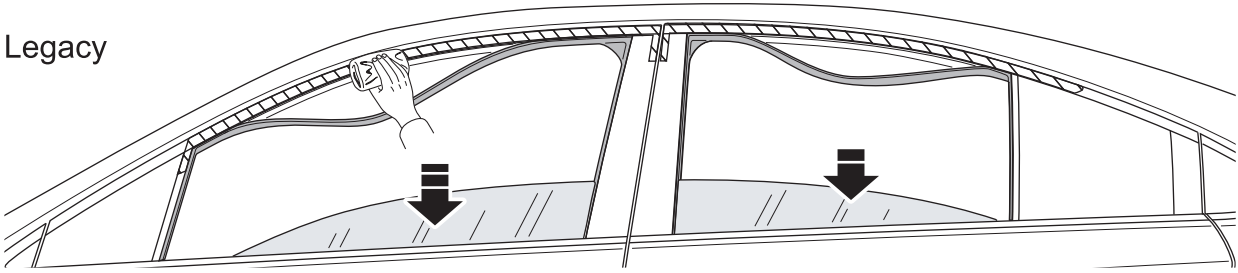
Never use gasoline, thinner, acid, alkali, or other organic solvent.



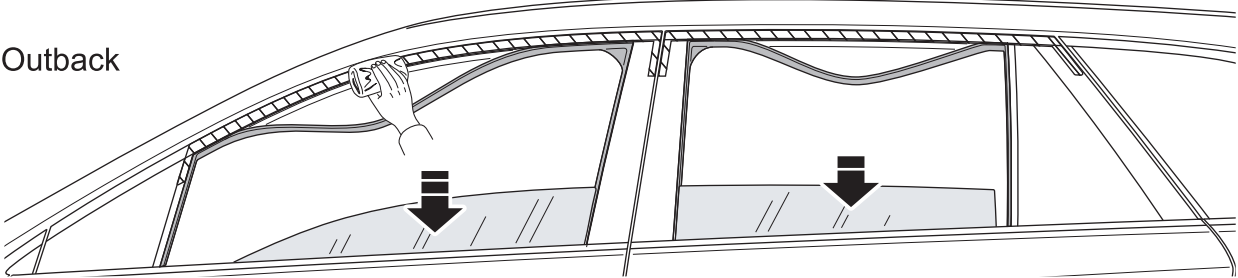
1

- Pull down run channel gaskets in middle area of each window.
Clean where side window deflector will contact the door using isopropyl alcohol and rag.

Legacy

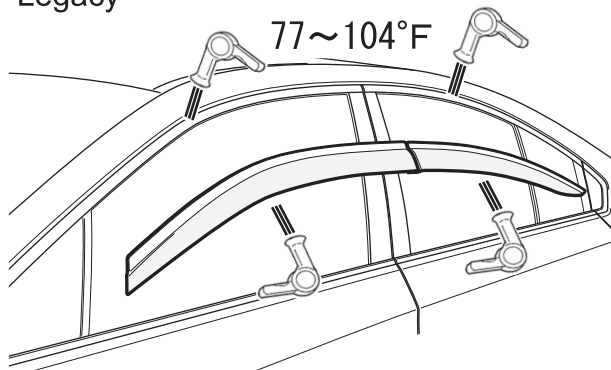


Outback

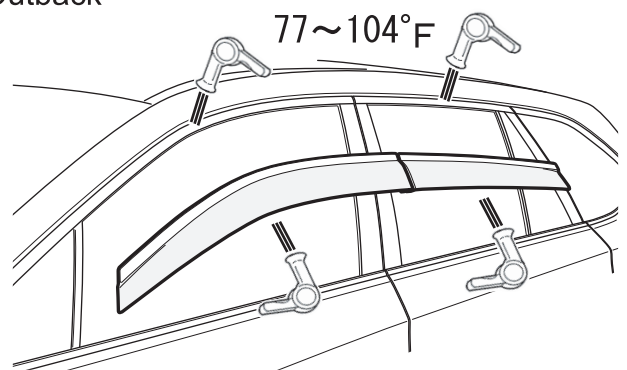


2

Legacy

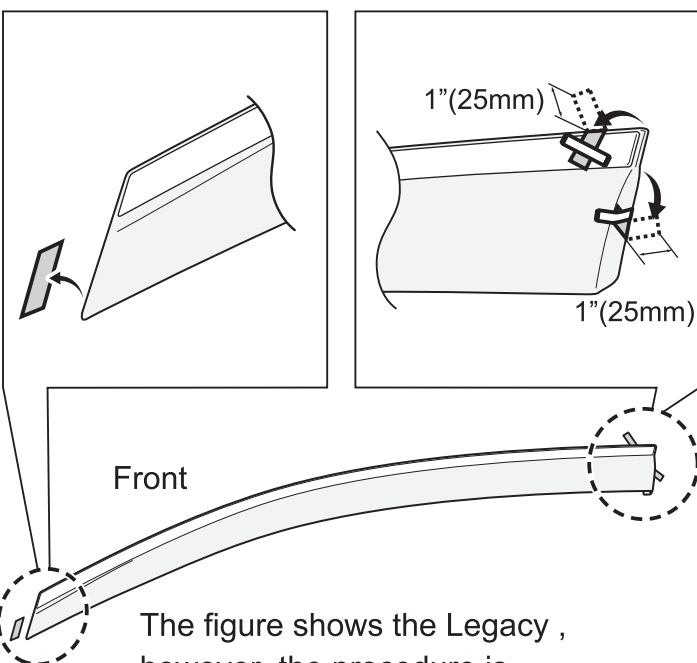


Outback



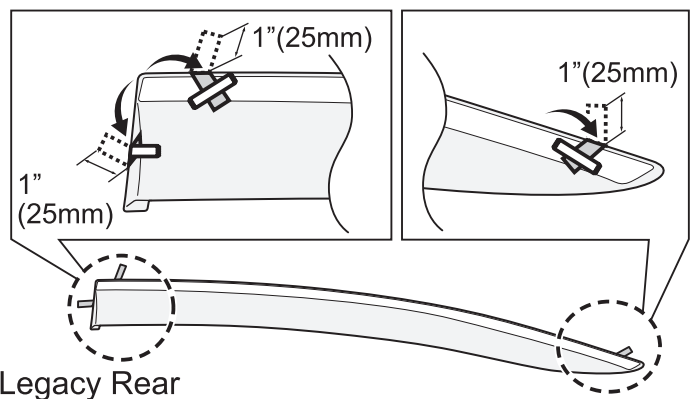
3

- Pull tape backing approximately 1" (25mm) as shown .

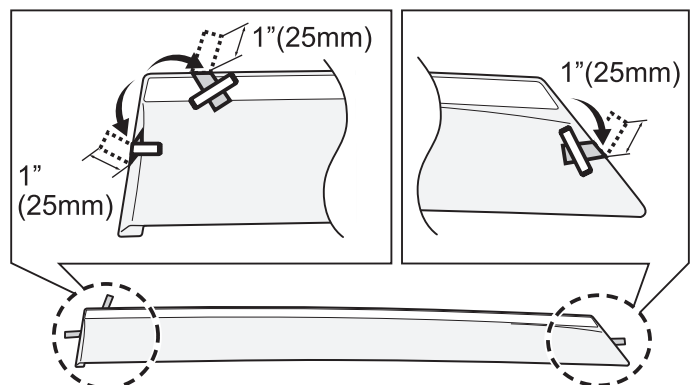


Front

The figure shows the Legacy ,
however, the procedure is
the same for the Outback.



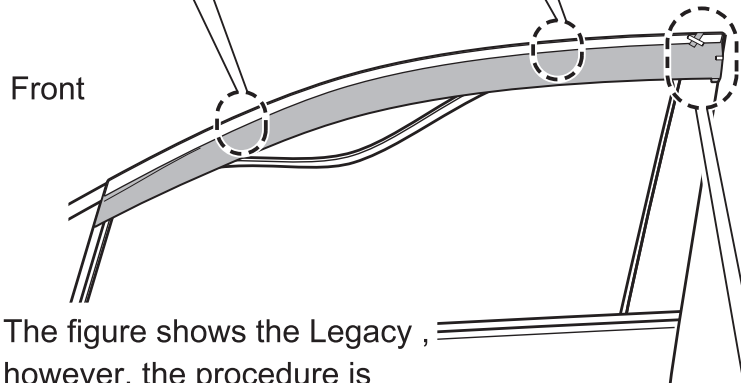
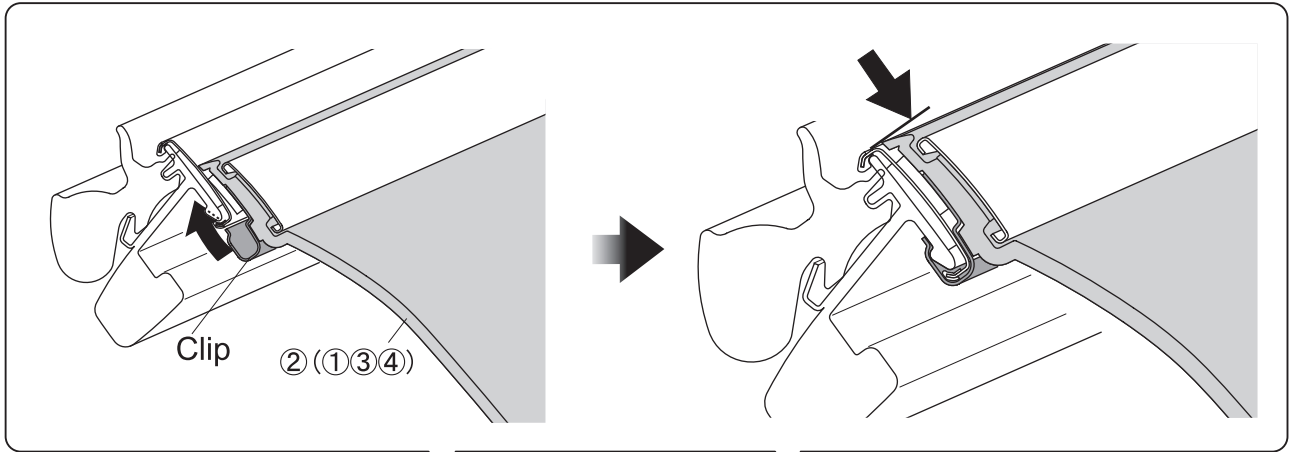
Legacy Rear



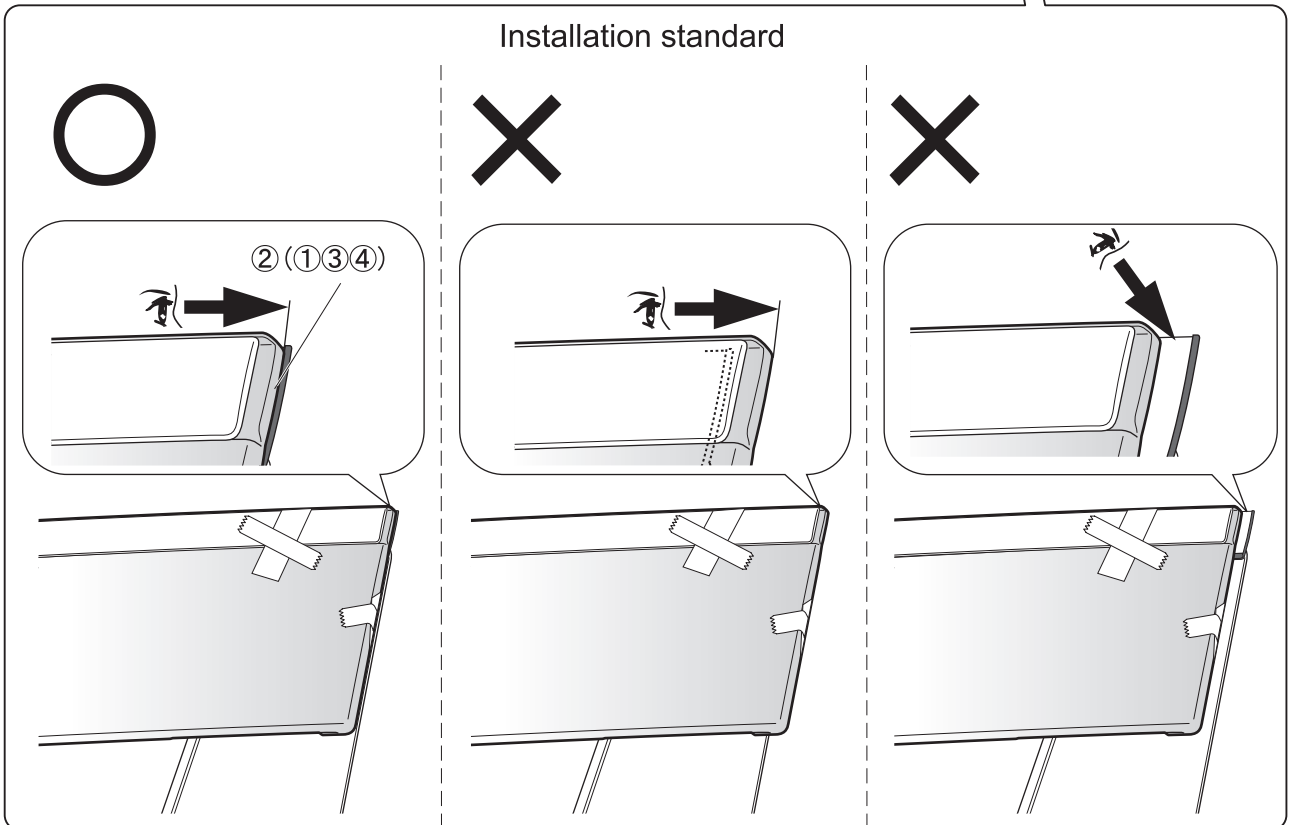
Outback Rear

4

• Check for proper alignment of side window deflector with front door .

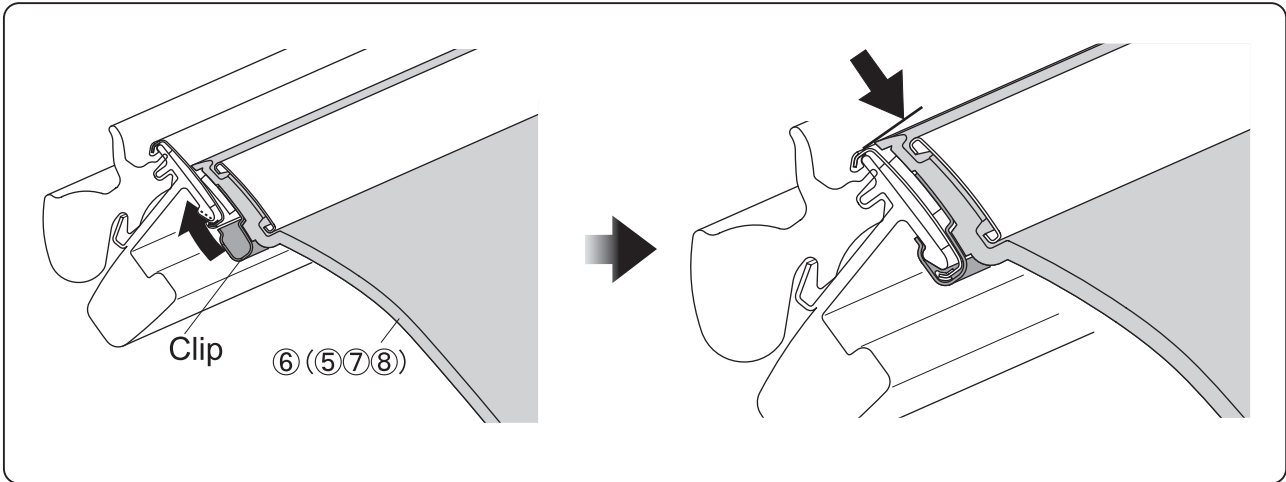


The figure shows the Legacy , however, the procedure is the same for the Outback.



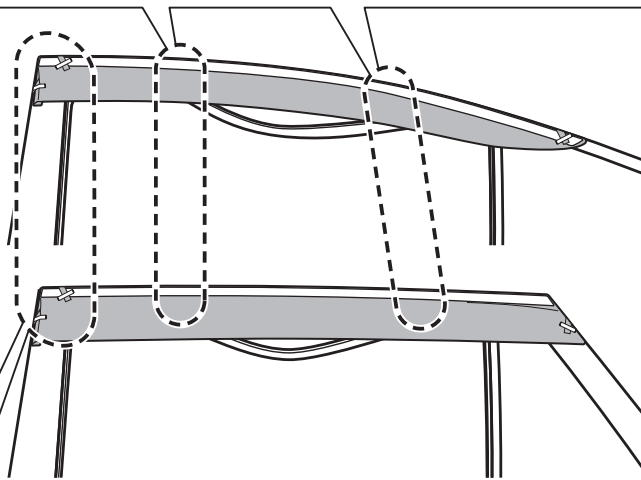
5

• Check for proper alignment of side window deflector with rear door .

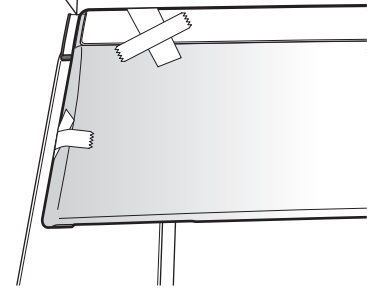
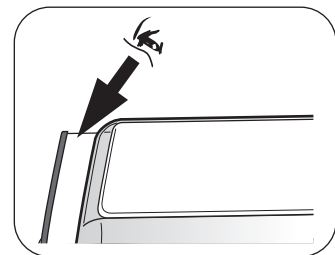
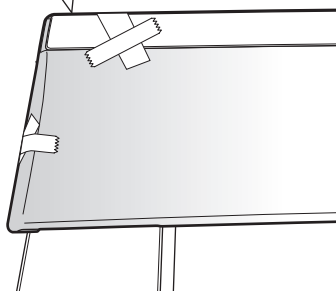
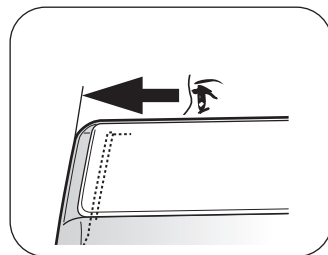
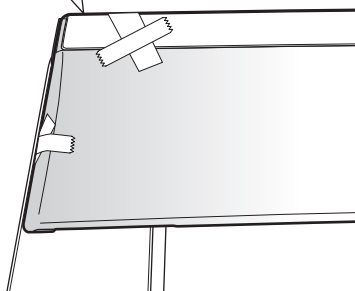
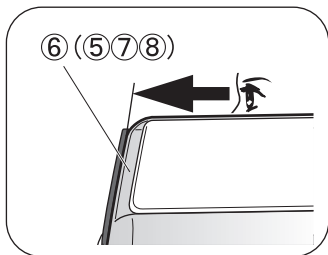


Legacy Rear

Outback Rear



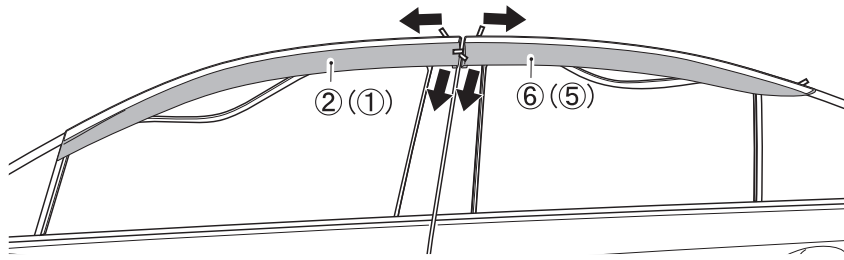
Installation standard



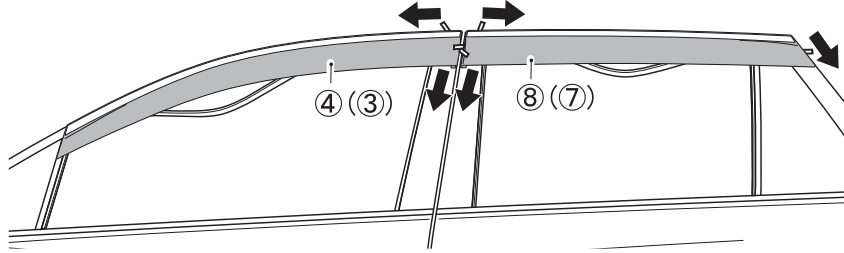
6

• Pull tape backing in order shown.

Legacy

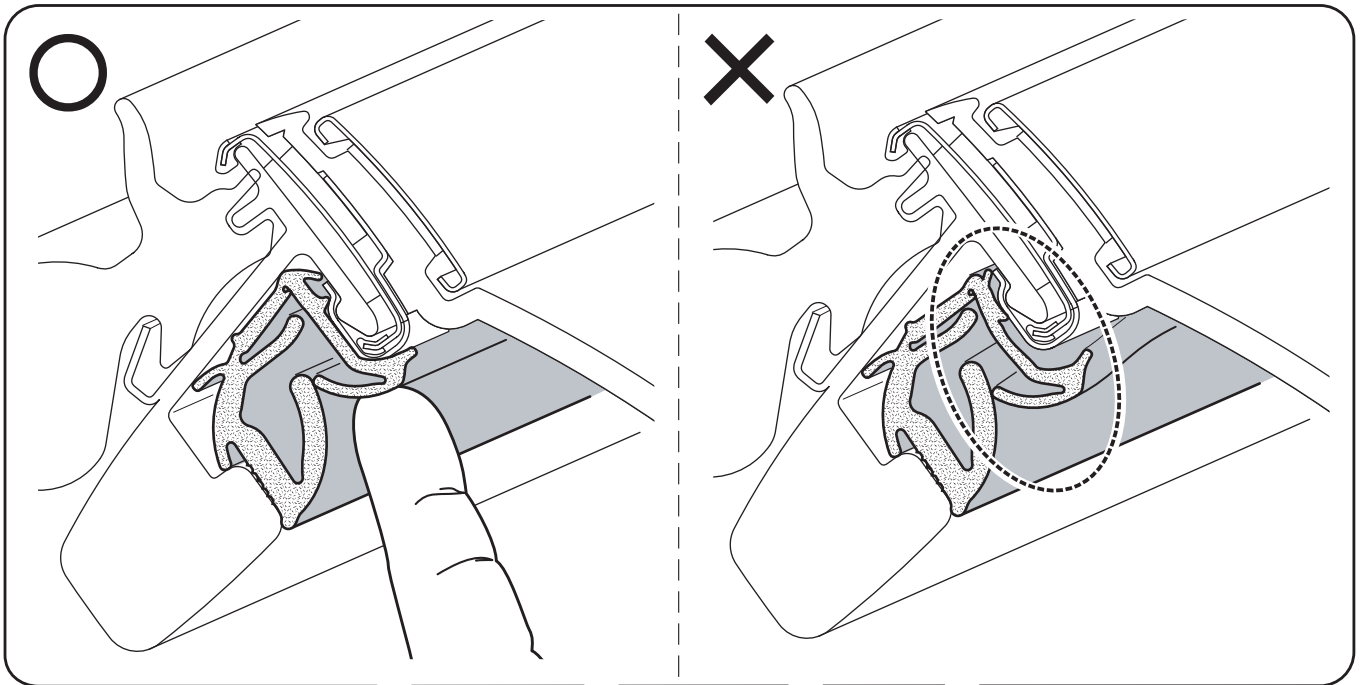


Outback

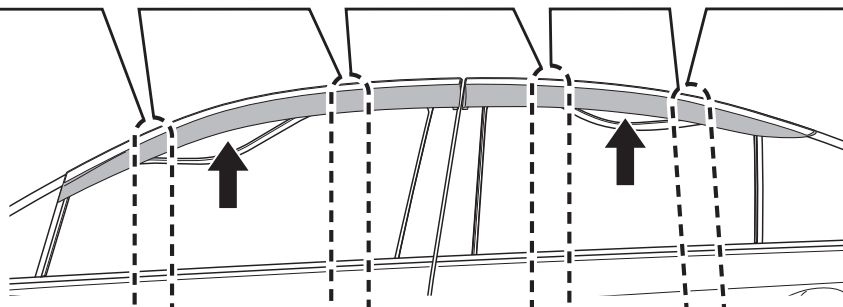


7

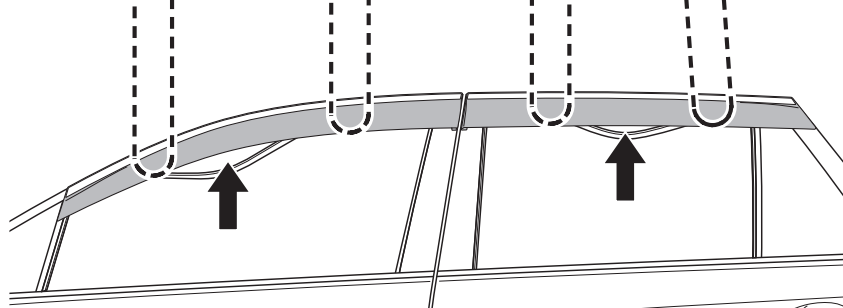
• Reinstall the run channel gaskets.



Legacy

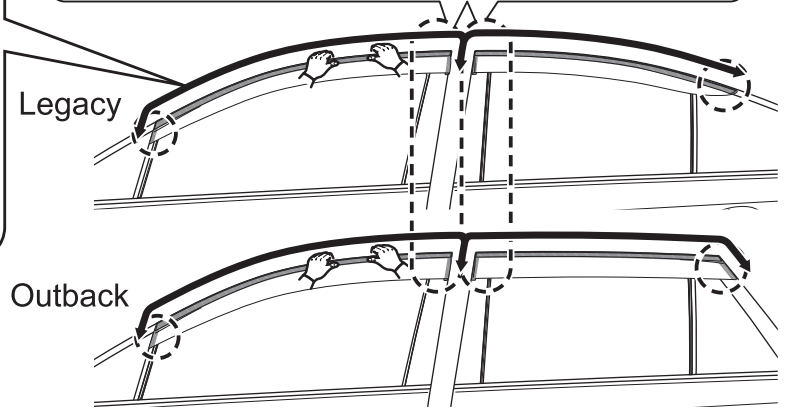
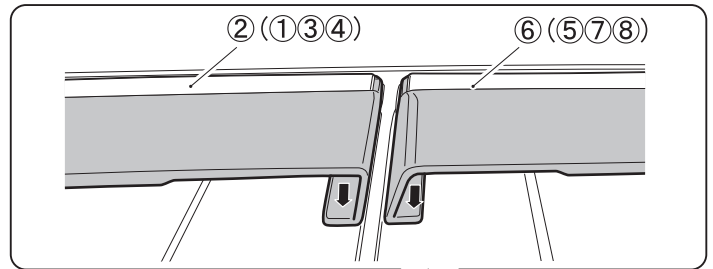
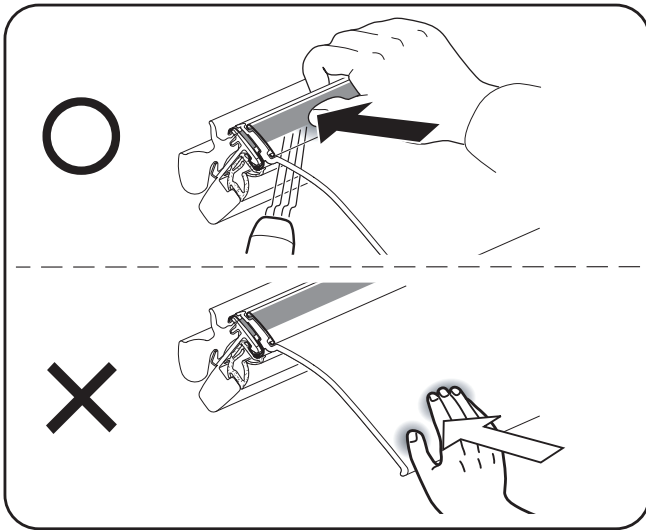


Outback



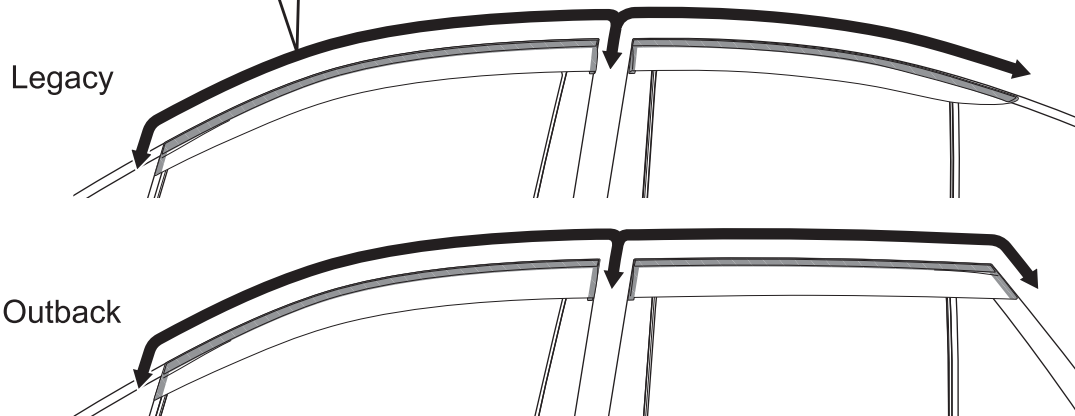
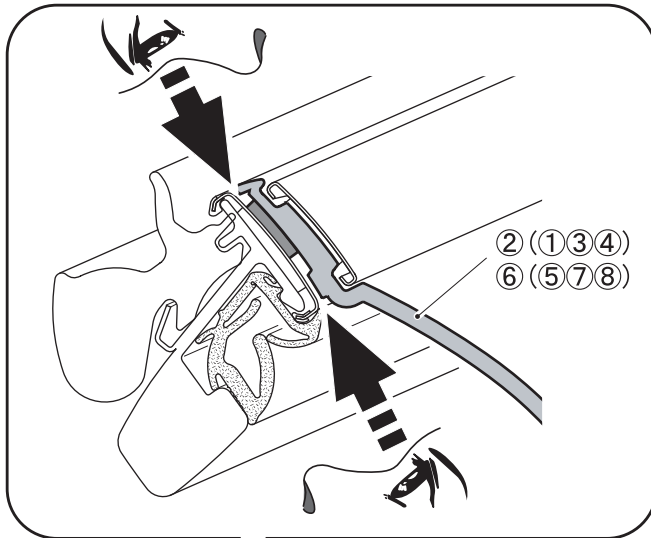
8

- Apply firm pressure (approximately 12 lbs) on side window deflectors blade directly over tape area.
Do not attempt to seat the tape by pushing on lower portion of the side window deflectors.



9

- Visually check for proper installation.



Do not wash the vehicle for 24 hours following installation.